



Item No.: _____
 Order No.: _____
 Qty: _____ Date: _____

SINK SPLASH GUARD FOR COMPARTMENT SINK - INSERT TYPE

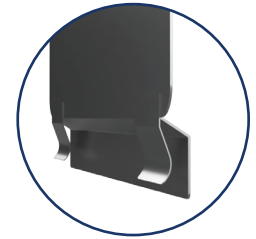
Features

- Designed for round edge compartment sinks
- SP-SH1810L/R for 18" compartment sink
SP-SH2410L/R for 24" compartment sink
- Installs onto the left and right side of your compartment sink
- Made of 18 gauge stainless steel
- Keeps walls and floors free of dangerous, unsightly



Intertek

**Insert Type
(SP-SHxxxxL/R)**

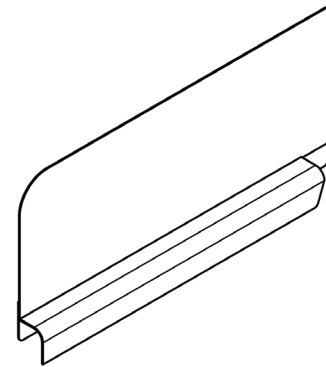
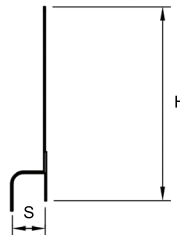
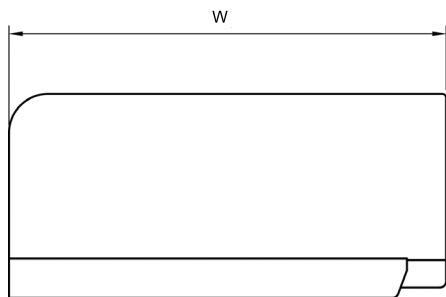


**SP-2018
(clip Type)**

Description Sink Splash Guard For Compartment Sink (Insert Type)

Use this splash guard protection to quickly and affordably avoid food contact surfaces, or utensil washing and storage area surfaces! Instead of investing in a complete sink replacement or devoting a substantial amount of valuable time to a complex alternative splash guard installation, this splash guard gives you everything you need to get up to code in a fraction of the time and at a fraction of the cost.

Plan View SP-SH1810L (Insert Type)



Order No.	W x H (in)	Description	S (insert space) (in)	G.W (lb)	Qty./ Case
SP-SH1810L	21-15/16 x 11	18" Left Side Insert Type	1-5/8	51	10
SP-SH1810R	21-15/16 x 11	18" Right Side Insert Type	1-5/8	51	10
SP-SH2410L	27-15/16 x 11	24" Left Side Insert Type	1-5/8	65	10
SP-SH2410R	27-15/16 x 11	24" Right Side Insert Type	1-5/8	65	10
SP-2018	20-1/2 x 18	Splash Guard For All Fry Master	1 (clip type)	5	1