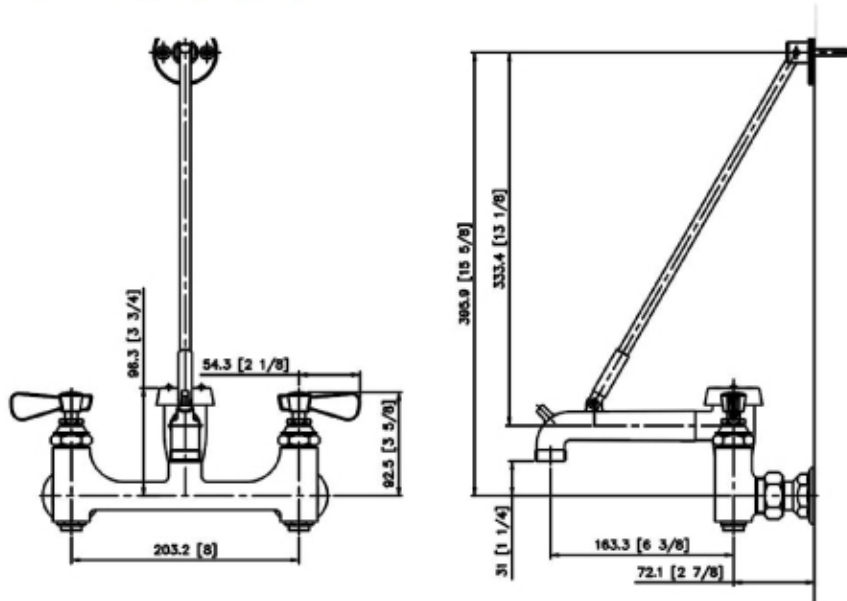


- \* Integral spring check valves to prevent cross-flow of Hot & Cold water.
- \* Heavy duty brass construction & chrome body.
- \* Color coded *Red & Blue* handles.
- \* 5" Spout, vacuum breaker & wall bracket w/ 12" rod.
- \* 1/2" NPT Female Inlets.



# AA-840

## Heavy Duty Service Sink Faucet



### Replacement Parts



AA-102 G  
AA-103 G



| Order No                           | Description                                  | Weight lbs/case | Pack/case |
|------------------------------------|--|-----------------|-----------|
| AA-840                             | 8" Heavy Duty Service Sink Faucet w/5" Spout | 60              | 8         |
| * Spout and Base in Split package. |  |                 |           |



Visit our website at  
**www.GSW-USA.com**

4177 Rowland Ave., #B, El Monte, CA 91731  
Tel: (800) 897-5999, (626) 291-5599 Fax: (626)286-0133  
E-mail: sales@gsw-usa.com

