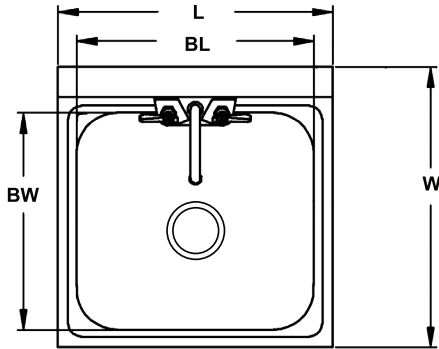




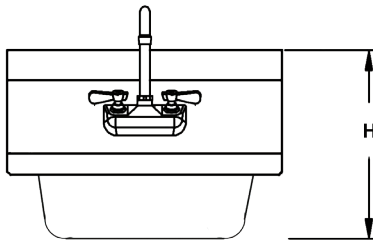
Item No.: _____
Order No.: _____
QTY: _____ Date: _____

WALL MOUNT HAND SINK

Top



Front



HS-xxxxW



HS-xxxxS



Description:

- HS-xxxxS series welded with splash guard (7-3/4" H)
- Faucet & strainer included

Order No.	W x L x H (in)	BW	BL	BD	G. W. (lbs)	Qty.
HS-0810W	12-1/4 x 12 x 12-3/4	8	10	5	8	1
HS-0810S	12-1/4 x 12 x 12-3/4	8	10	5	11	1
HS-1217W	17-7/8 x 12-1/2 x 13-3/8	12-1/2	9-3/4	7-3/4	10	1
HS-1217S	17-7/8 x 12-1/2 x 13-3/8	12-1/2	9-3/4	7-3/4	14	1
HS-1615W	15-1/4 x 15-3/4 x 14-3/8	9-3/4	12-1/2	6-5/8	12	1
HS-1615S	15-1/4 x 15-3/4 x 14-3/8	9-3/4	12-1/2	6-5/8	15	1
HS-2017W	17-1/2 x 20-1/2 x 14-3/4	12-3/4	17-3/4	7	13	1
HS-2017S	17-1/2 x 20-1/2 x 14-3/4	12-3/4	17-3/4	7	17	1