



TOLERANCE
 Overall : ± 0.500"
 Interior : ± 0.250"

Visit our website at
www.GSW-USA.com
 4177 Rowland Ave., #B, El Monte, CA 91731
 Tel.: (800) 897-5999, (626) 291-5599 Fax: (626)286-0133
 E-mail: sales@gsw-usa.com

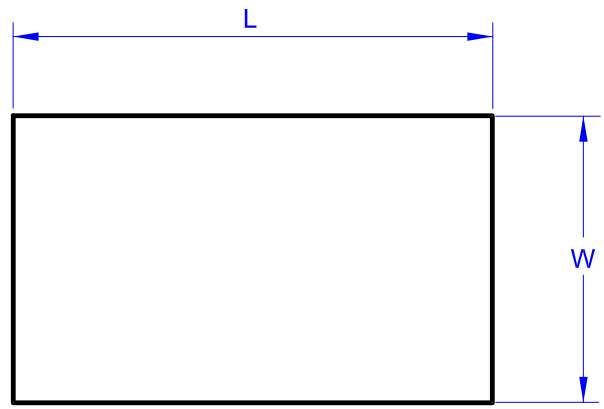


GSW USA, INC. Copy Right Reserved 2013

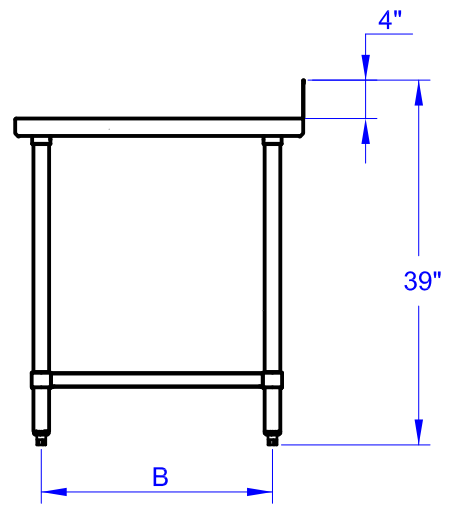
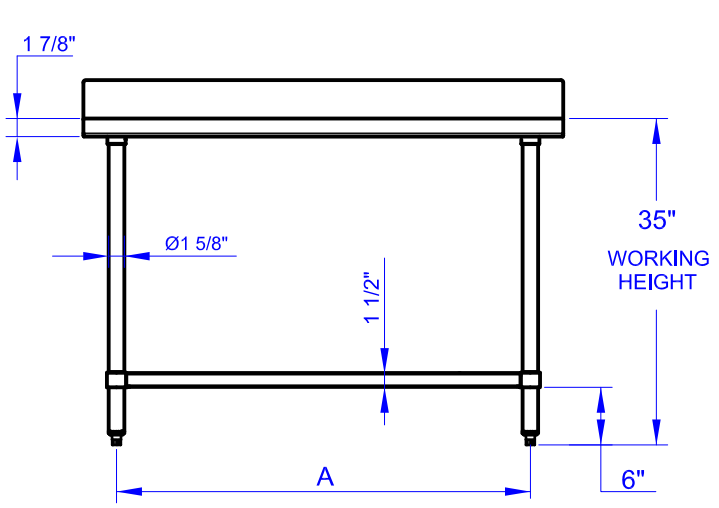
WT-PBxxxx

All S/S 4" Rear Upturn Top Work Table

- Top : 16 gauge stainless steel type "304" series.
- Under shelf : 18 gauge stainless steel.
- Legs : 1-5/8" diameter tubular stainless steel.
- Rear upturn with radius at intersection.
- Rolled edge construction.
- 1" adjustable ABS bullet feet.
- 72" and up models have 6 legs for extra strength.
- Adjustable under shelf with die cast aluminum clamp.
- NSF listed.



Die Cast Aluminum Clamp



Item	Order No.	L	W	A	B
1	WT-PB3096	96"	30"	89-1/8"	24-1/8"
2	WT-PB3084	84"	30"	77-1/8"	24-1/8"
3	WT-PB3072	72"	30"	65-1/8"	24-1/8"
4	WT-PB3060	60"	30"	53-1/8"	24-1/8"
5	WT-PB3048	48"	30"	41-1/8"	24-1/8"
6	WT-PB3036	36"	30"	29-1/8"	24-1/8"
7	WT-PB3030	30"	30"	23-1/8"	24-1/8"
8	WT-PB3024	24"	30"	17-1/8"	24-1/8"
9	WT-PB3018	18"	30"	15-5/16"	24-1/8"
10	WT-PB3012	12"	30"	9-5/16"	24-1/8"
11	WT-PB2496	96"	24"	89-1/8"	18-1/8"
12	WT-PB2484	84"	24"	77-1/8"	18-1/8"
13	WT-PB2472	72"	24"	65-1/8"	18-1/8"
14	WT-PB2460	60"	24"	53-1/8"	18-1/8"
15	WT-PB2448	48"	24"	41-1/8"	18-1/8"
16	WT-PB2436	36"	24"	29-1/8"	18-1/8"
17	WT-PB2430	30"	24"	23-1/8"	18-1/8"
18	WT-PB2424	24"	24"	17-1/8"	18-1/8"
19	WT-PB2418	18"	24"	15-5/16"	18-1/8"
20	WT-PB2412	12"	24"	9-5/16"	18-1/8"