



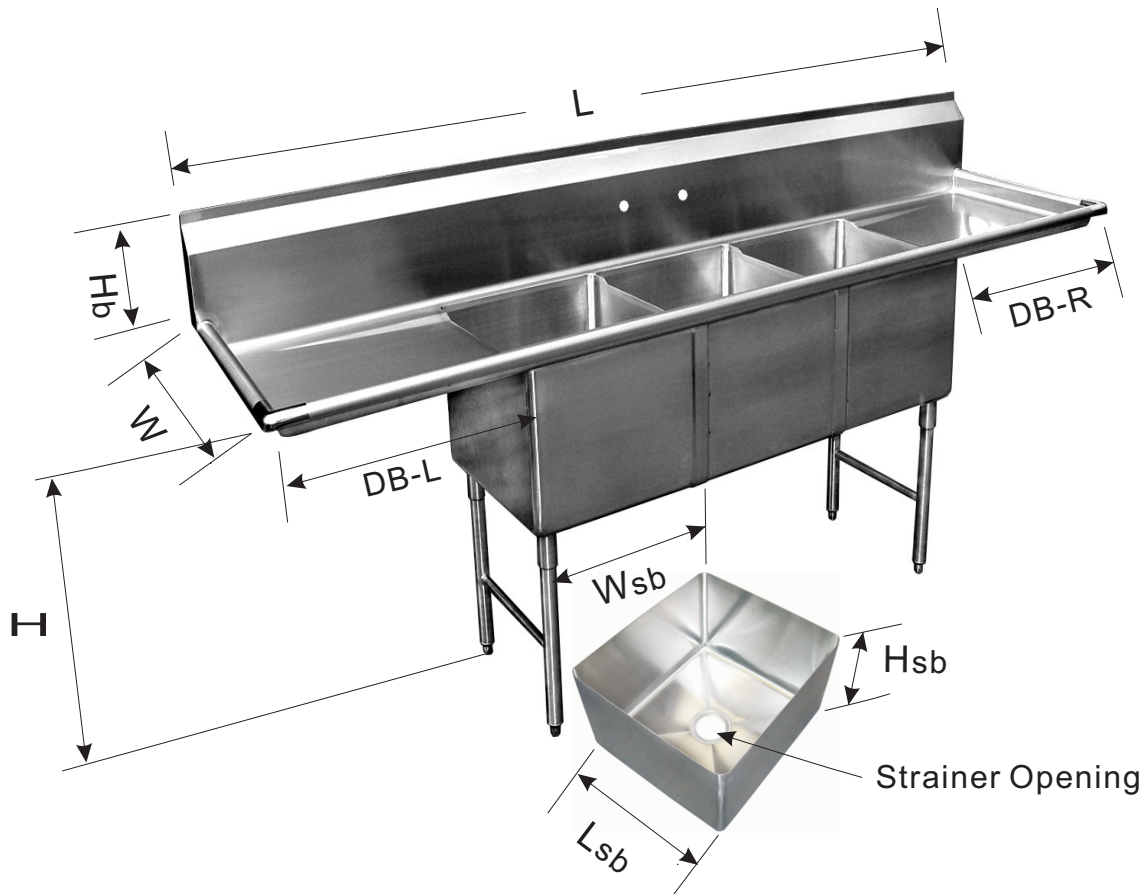
www.GSW-USA.com

GSW Inc. Custom-Made Order Form

Tel: 800-897-5999, 626-291-5599

Fax: 626-286-0166

Email: sales@gsw-usa.com



Custom-Made Compartment Sink (unit: inch)

Date: _____

Overall Size: _____ W x _____ L x _____ H

of Sink Bowls: _____ Material Gauge: 16; 18

Sink Bowl Order No. _____ (choose from next page)

Sink Bowl Size: _____ Wsb x _____ Lsb x _____ Hsb

Strainer Opening: _____

Back Splash Height: _____ Hb

Drainboard: None; Left; Right; Both

Drainboard Length: _____ DB-L; _____ DB-R

Company: _____ Account#: _____

Contact: _____

Tel: _____ Fax: _____

Ship State: _____ Ship Zip Code: _____

Please comment and attach other drawings if needed. Thank you.



www.GSW-USA.com

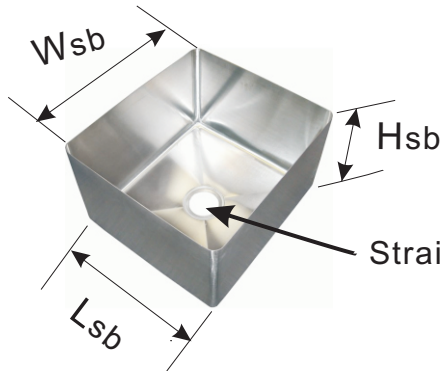
GSW Inc. Custom-Made Order Form

Tel: 800-897-5999, 626-291-5599

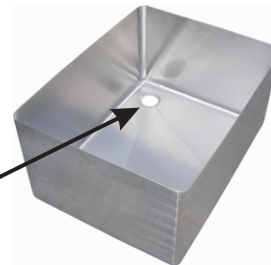
Fax: 626-286-0166

Email: sales@gsw-usa.com

Center Drain Sink Bowl



Corner Drain Sink Bowl



Sink Bowl Options

Center Drain

| Order No | Overall Dimensions | |
|------------|--------------------|---------------------|
| | Wsb x Lsb x Hsb | Strainer Opening(ø) |
| SB-101410 | 14"x10"x10" | 1-7/8" |
| SB-111008 | 10"x11"x8" | 1-7/8" |
| SB-121210 | 12"x12"x10" | 1-7/8" |
| SB-141410 | 14"x14"x10" | 1-7/8" |
| SB-161610S | 16"x16"x10" | 1-7/8" |
| SB-161610 | 16"x16"x10" | 3-1/2" |
| SB-161612 | 16"x16"x12" | 3-1/2" |
| SB-162012 | 16"x20"x12" | 3-1/2" |
| SB-181812 | 18"x18"x12" | 3-1/2" |
| SB-182012 | 20"x18"x12" | 3-1/2" |
| SB-182212 | 22"x18"x12" | 3-1/2" |
| SB-182412 | 24"x18"x12" | 3-1/2" |
| SB-182414 | 24"x18"x14" | 3-1/2" |
| SB-202008 | 20"x20"x08" | 3-1/2" |
| SB-202012 | 20"x20"x12" | 3-1/2" |
| SB-202212 | 22"x20"x12" | 3-1/2" |
| SB-202412 | 24"x20"x12" | 3-1/2" |
| SB-202414 | 24"x20"x14" | 3-1/2" |
| SB-202812 | 28"x20"x12" | 3-1/2" |
| SB-202814 | 28"x20"x14" | 3-1/2" |
| SB-222214 | 22"x22"x14" | 3-1/2" |
| SB-222412 | 24"x22"x12" | 3-1/2" |
| SB-242414 | 24"x24"x14" | 3-1/2" |
| SB-311815 | 18"x31"x15" | 1-7/8" |
| SB-312415 | 24"x31"x15" | 3-1/2" |

Corner Drain

| Order No | Overall Dimensions | |
|-----------|--------------------|------------------------------|
| | Wsb x Lsb x Hsb | Strainer Opening (ø) |
| SB-L1824 | 24"x18"x12" | 1-7/8", Left Corner |
| SB-L2024 | 24"x20"x12" | 1-7/8", Left Corner |
| SB-R1824 | 24"x18"x12" | 1-7/8", Right Corner |
| SB-R2024 | 24"x20"x12" | 1-7/8", Right Corner |
| SB-LR1818 | 18"x18"x12" | 1-7/8", Left or Right Corner |
| SB-LR2424 | 24"x24"x12" | 1-7/8", Left or Right Corner |